

PTSC 2818VM

Portable Screen Plant



High Frequency Screen

- PEP Vari-Vibe 2818VM
- Patent-pending screen design
- 8 x 18 ft (2,440 x 5,490 mm) top deck
- 8 x 12 ft (2,440 x 3,660 mm) bottom deck
- Decks driven by variable-speed hydraulic vibrators
- Vibrators have five (5) force amplitude settings
- Hydraulic operating angle adjustment
- Fines collecting hopper
- Top and bottom deck discharge chutes
- Step-type aggregate spreader

Delivery Conveyor

- Nominal 54 in x 38 ft (1,400 mm x 11.6 m) conveyor
- Hydraulic drive
- Full-length skirtboards
- 220 PIW belt with $\frac{3}{16}$ in (5 mm) top cover
- Vulcanized belt splice
- Belt cleaner

Chassis

- Standard fifth wheel plate
- Single axle, air brakes, lights and mud flaps
- Four (4) 11:00 x 22.5 dual-mounted tires
- Manually-operated support legs
- Outriggers for additional side support
- Folding walkways along screen with access ladder

Power & Hydraulics

- Two hydraulic power units:
 - 50 hp (37 kW) motor and 90 gallon (340 L) reservoir
 - 60 hp (45kW) motor and 160 gallon (605 L) reservoir
- Direct coupled pressure compensated pumps

Controls

- NEMA 4-rated control cabinet
- Push-button controls for electrical functions
- Low-oil-level shut-off with warning strobe
- Mechanical controls for plant functions

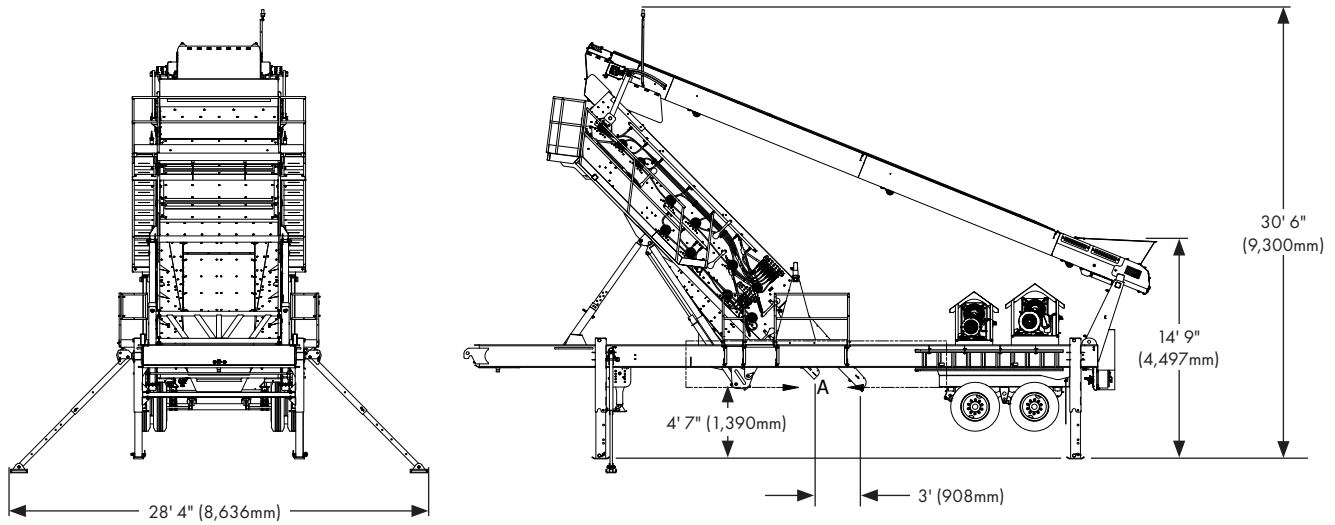
Plant Options

- Steel screen cloth
- Vinyl dust cover
- Four (4) hydraulic leveling jacks
- Immersion heaters for hydraulic reservoirs
- Starters for three (3) off-plant conveyors

Physical & Operating Characteristics

Dimension	Imperial	Metric
Operating Length	47' 1"	14.35 m
Operating Width	28' 4"	8.64 m
Operating Height	30' 6"	9.30 m
Feed Height	14' 9"	4.50 m
Transport Length	46' 6"	14.17 m
Transport Width	11' 11"	3.63 m
Transport Height	13' 9"	4.19 m
Unit Weight	48,300 lb	21,900 kg

Operation



Transportation

